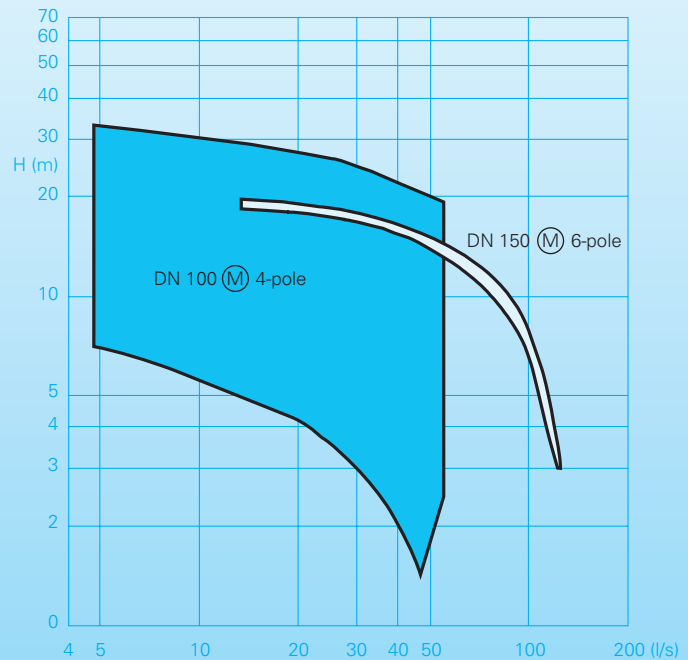


Submersible Sewage Pumps for portable Use

SKK



Application

HOMA series SKK pumps are designed for pumping domestic, municipal and waste water. With 100 and 125 mm spherical clearance they are able to pump sewage, sludge, effluents and surface water, even those containing a large proportion of solid or fibrous matter. The pumps are especially used as emergency service pumps in sewers or pump stations in cases of maintenance or repair, obstructions, flooding etc. With their small diameter casing and integrated discharge pipe they are the ideal solution for operation in narrow pits, through small diameter access covers or under other limited space conditions.

Installation: Pump with ring base stand for transportable or permanent installation.

Pumped liquid: Clear water and drainage water, sewage containing soft solids. Max. liquid temperature: 35°C, short term up to 60°C.

Design

Fully submersible, compact integrated motor-pump unit consisting of:

Pump: Single stage centrifugal pump with integrated discharge pipe.

Impeller: Closed single channel impeller.

Motor: Fully submersible, pressure tight electric motor. Insulation class H. Degree of protection IP 68. Thermal sensors embedded in the winding.

Shaft / Bearing: Large diameter stainless steel rotor shaft, pre-lubricated bearings.

Seals: Combination of mechanical seals (silicon-carbide / silicon-carbide) in a separate oil chamber. Oil inspection from outside on request. Model C with electronic seal probe fitted in the oil chamber available.

Explosion protection: All models are available with explosion proof motors according to Ex de [ib] II BT4 .

Materials:

Motor housing, pump housing, impeller	Cast iron GG-25/EN-GJL-250
Cooling jacket	Stainless steel 1.4541
Rotor shaft, screws	Stainless steel
Mechanical seals	Silicon-carbide
Wear ring	Bronze
O-Rings	NBR

Equipment supplied:

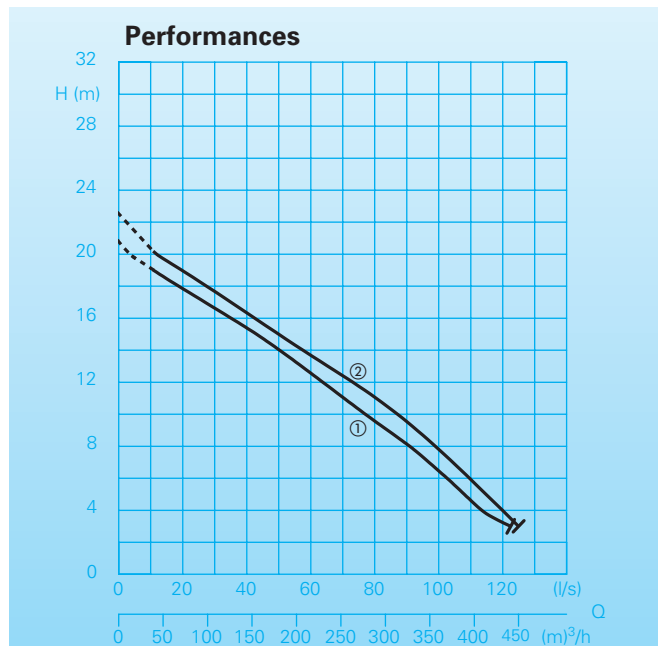
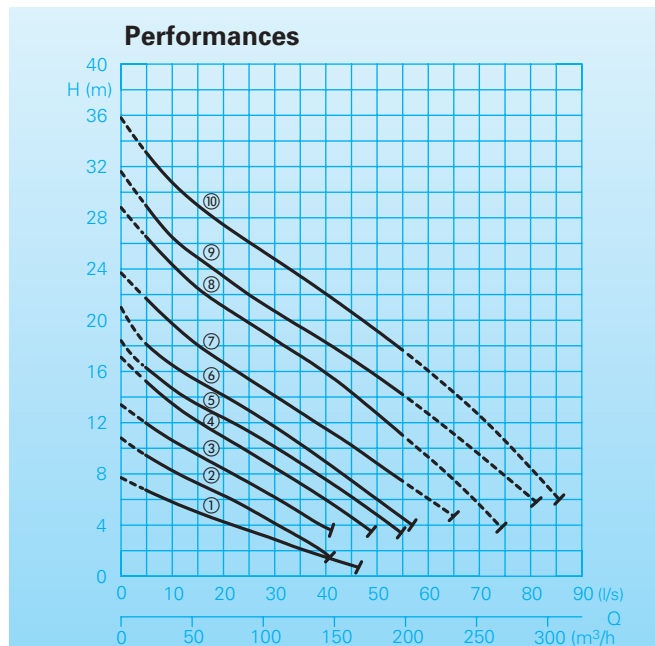
Pumps with ring base stand and integrated discharge pipe. 10 m of cable.

Technical Data

1450 rpm
DN 100 discharge
100 mm ø spherical clearance



960 rpm
DN 150 discharge
125 mm ø spherical clearance



Standard model

Curve No.	Pump type	Motor output P ₂ (kW)	Rated current I _N (A)	Weight (kg)
①	SKK2432-T(U)34/(C)	2,9	5,8	105
②	SKK2436-T(U)34/(C)	2,9	5,8	107
③	SKK2438-T(U)44/(C)	3,7	7,5	111
④	SKK2444-T(U)54/(C)	5,0	9,9	115
⑤	SKK2446-T(U)64/(C)	6,5	13,1	118
⑥	SKK2448-T(U)64/(C)	6,5	13,1	118
⑦	SKK2452-P(U)74/(C)	8,5	16,8	186
⑧	SKK2456-P(U)94/(C)	14,6	28,8	216
⑨	SKK2460-P(U)94/(C)	14,6	28,8	220
⑩	SKK2462-P(U)104/(C)	19,3	39,1	241

Explosion - proof model

Curve No.	Pump type	Motor output P ₂ (kW)	Rated current I _N (A)	Weight (kg)
①	SKK2432-T(U)34Ex/(C)	2,9	5,8	105
②	SKK2436-T(U)34Ex/(C)	2,9	5,8	107
③	SKK2438-T(U)44Ex/(C)	3,7	7,5	111
④	SKK2444-T(U)54Ex/(C)	5,0	9,9	115
⑤	SKK2446-T(U)64Ex/(C)	6,5	13,1	118
⑥	SKK2448-T(U)64Ex/(C)	6,5	13,1	118
⑦	SKK2452-P(U)74Ex/(C)	8,5	16,8	186
⑧	SKK2456-P(U)94Ex/(C)	14,6	28,8	216
⑨	SKK2460-P(U)94Ex/(C)	14,6	28,8	220
⑩	SKK2462-P(U)104Ex/(C)	19,3	39,1	241

Standard model

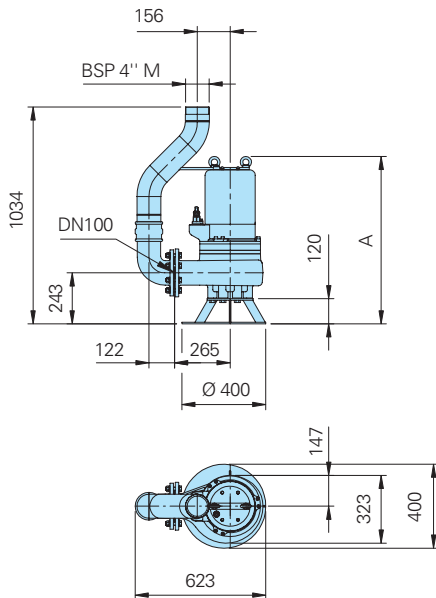
Curve No.	Pump type	Motor output P ₂ (kW)	Rated current I _N (A)	Weight (kg)
①	SKK4572-F(U)116/(C)	22,6	48,3	540
②	SKK4573-F(U)126/(C)	25,8	55,5	562

Explosion - proof model

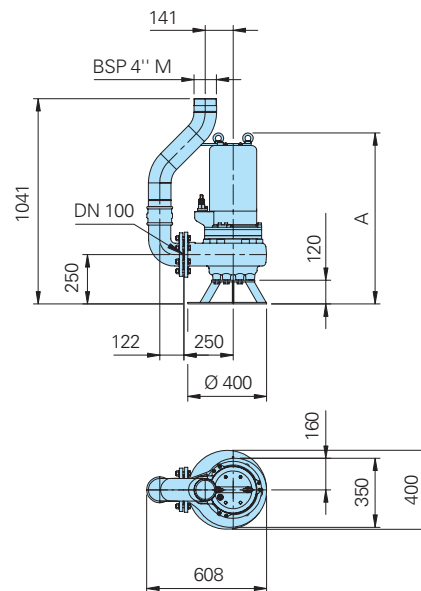
Curve No.	Pump type	Motor output P ₂ (kW)	Rated current I _N (A)	Weight (kg)
①	SKK4572-F(U)116Ex/(C)	22,6	48,3	540
②	SKK4573-F(U)126Ex/(C)	25,8	55,5	562

Dimensions

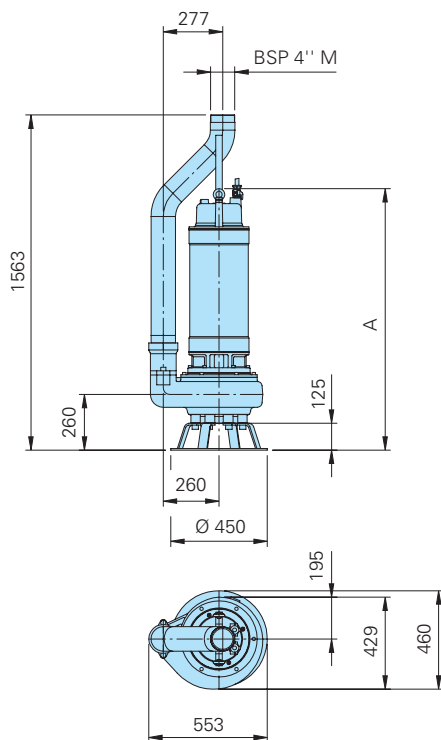
Wet well installation with ring base stand SKK 2432 – SKK 2438



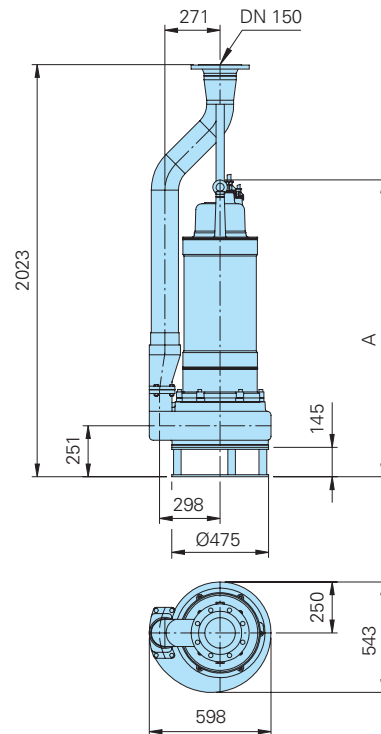
Wet well installation with ring base stand SKK 2444 – SKK 2448



Wet well installation with ring base stand SKK 2452 – SKK 2462

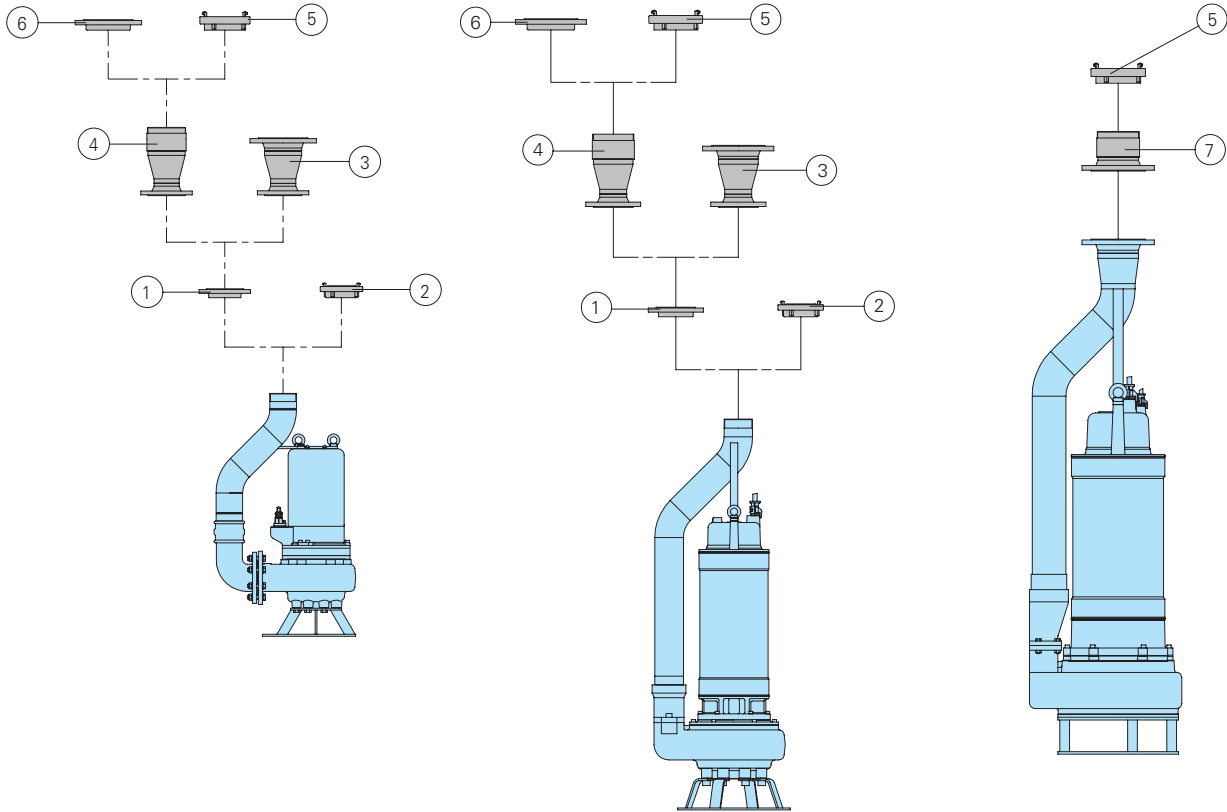


Wet well installation with ring base stand SKK 4572 – SKK 4573



all dimensions in mm

Pump type	Dim. A Standard model	Model Ex
SKK 2432 up to SKK 2438	800	800
SKK 2444 up to SKK 2448	869	869
SKK 2452	963	1070
SKK 2456 up to SKK 2460	1023	1130
SKK 2462	1113	1220
SKK 4572 up to SKK 4573	1457	1457



Part Description	Dim.	Part. No.
① Threaded flange	DN 100/ BSP 4" F	2215100
② STORZ-fixed coupling	A-BSP 4" F	2010701
③ Flanged reducer	DN 100/ DN 150	2156115
④ Threaded flanged reducer	DN 100/ BSP 6" M	2156901
⑤ STORZ-fixed coupling	F-BSP 6" F	2010961

Part Description	Dim.	Part. No.
⑥ Threaded flange	DN 150/ BSP 6" F	2215150
⑦ Threaded flange	DN 150/ BSP 6" M	2156905

Part Description	Dim.	Part. No.
○ Control box for pumps without level control, with overload protection, on off switch, phase inverter		
- standard model, DOL-start		
Nominal current	3,7 A	1927002
	5,5 A	1927004
	7,4 A	1927006
Control box for star-delta-start		on request

