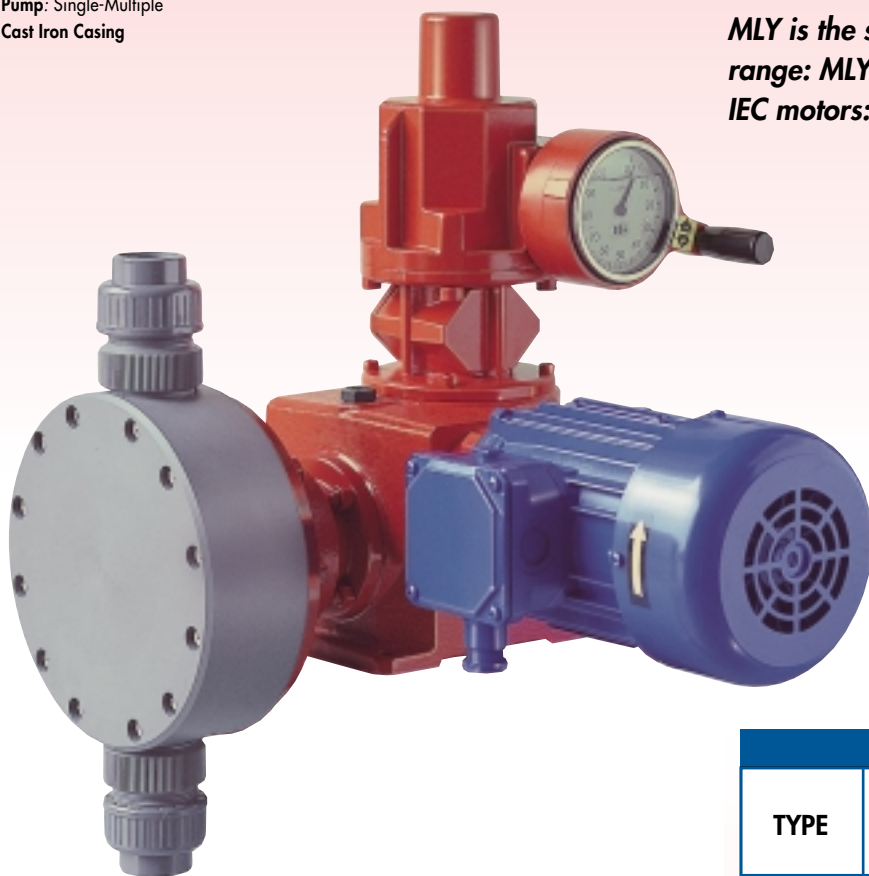


Stroke: 2/4/6 mm
 Max Flow Rate: 420 l/h
 Motors : 0,37 kW
 Pump: Single-Multiple
 Cast Iron Casing

Mechanical Diaphragm Metering Pumps Positive Return

MLY is the smallest pump of the three sizes of "ML" range: MLY - MLK & MLN.
IEC motors: size 71, frame B14 flange mounting.



TECHNICAL DATA

TYPE	STROKES/m	* FLOW RATE L/h	MAX PRESSURE BAR	CONNECTIONS			
				THREADED		FLANGED	
				AISI	PVC	AISI	PVC
MLY 2,5	36	2,5	10	1/4" GF BSPF	1/4" GF BSPF	DN 15	DN 15
MLY 5	50	4					
MLY 7	70	6,5					
MLY 10	95	9					
MLY 15	50	15	10	3/8" GF BSPF	3/8" GF BSPF	DN 15	DN 15
MLY 25	70	22					
MLY 33	95	30					
MLY 47	50	50					
MLY 74	70	75	10	3/8" GF BSPF	3/8" GF BSPF	DN 15	DN 15
MLY 100	95	100					
MLY 76	50	75					
MLY 118	70	120					
MLY 163	95	160	8	1/2" GF BSPF	1/2" GF BSPF	DN 15	DN 15
MLY 130	50	120					
MLY 200	70	190					
MLY 275	95	265					
MLY 195	50	185	7	3/4" GF BSPF	3/4" GF BSPF	DN 20	DN 20
MLY 300	70	290					
MLY 420	95	420					
			5	1" GF BSPF	1" GF BSPF	DN 25	DN 25

* Flow rates given at 1,5 BAR pressure. Flow rate decreases by approximately 1% for each bar increased pressure.

CONSTRUCTION CHARACTERISTICS

- Unique OBL-designed positive displacement mechanism.
- Smooth, linear adjustment either while stationary or running, by means of gravitational dial handwheel.
- ±3 % repeatability over 20 to 100% of flow range.
- Max. temperature of the pumped liquid: 45° C
- Up to 3 m. w. c. suction lift.

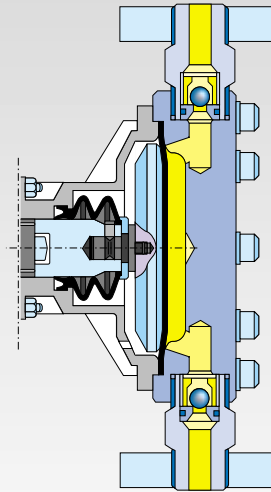
MATERIALS OF CONSTRUCTION

PARTS	A	P	P11	A22
LIQUID ND	AISI 316L	PVC	PVC	AISI 316L
DIAPHRAGM	TEFLON/PTFE	TEFLON/PTFE	TEFLON/PTFE	TEFLON/PTFE
VALVE GUIDE	AISI 316L	POLITENE/PVC	POLITENE /PVC	AISI 316L
VALVE SEAT	AISI 316L	PVC	AISI 316L	INCOLOY 825
VALVE	AISI 316L	PIREX	AISI 316L	CARPENTER 20
VALVE SEAL	VITON/FPM	VITON/FPM	VITON/FPM	VITON/FPM

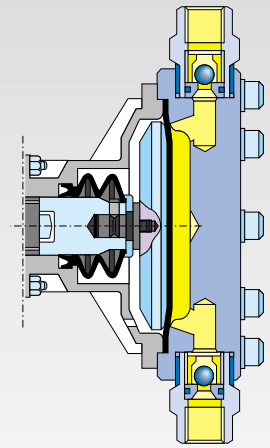
Technical data are subject to modifications without prior notice.

PUMP HEADS

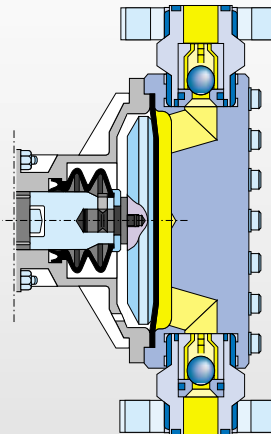
- The one-up diaphragm is used both on **AISI 316L** and **PVC** pump heads.
- The pump heads, both in **AISI 316L** and **PVC** construction, are machined from solid barstock, to eliminate the problems associated with castings.
- Valves are single ball types. Duplex valves can be supplied on demand.
- Suction and discharge ports are threaded; and can be flanged if required.



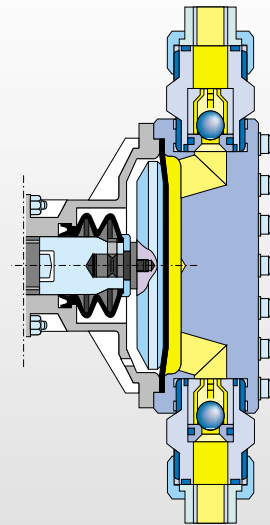
AISI 316L head, "A" construction, flanged connections.



AISI 316L head, "A" construction, threaded connections.

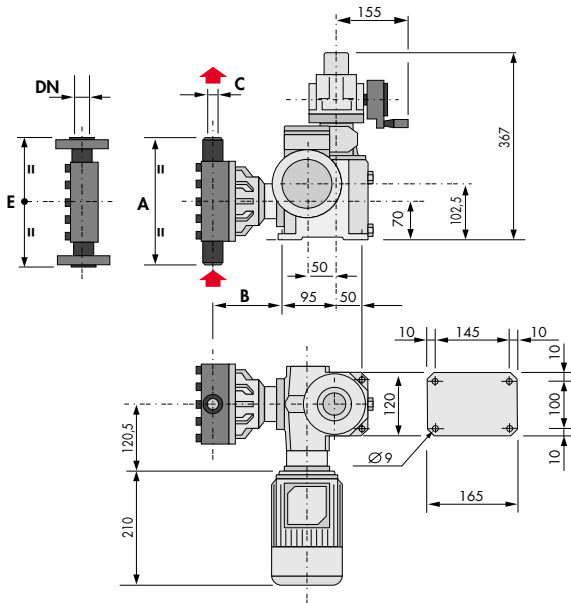


PVC head, "P" construction, flanged connections.



PVC head, "P" construction, threaded connections.

OVERALL DIMENSIONS



TYPE	AISI 316						PVC						DN: AISI-PVC	
	A	A DV	B	C	E	E DV	A	A DV	B	C	E	E DV	UNI PN 10	ANSI 150RF
MLY 2,5	-	179	101	1/4"	-	155	-	222	107	1/4"	-	170	15	1/2"
MLY 5	-	179	101	1/4"	-	155	-	222	107	1/4"	-	170	15	1/2"
MLY 7	-	179	101	1/4"	-	155	-	222	107	1/4"	-	170	15	1/2"
MLY 10	-	179	101	1/4"	-	155	-	222	107	1/4"	-	170	15	1/2"
MLY 15	-	179	101	1/4"	-	155	-	222	107	1/4"	-	170	15	1/2"
MLY 25	166	204	102	3/8"	180	180	-	251	107	3/8"	-	197	15	1/2"
MLY 33	-	179	101	1/4"	-	155	-	222	107	1/4"	-	170	15	1/2"
MLY 47	-	179	101	1/4"	-	155	-	222	107	1/4"	-	170	15	1/2"
MLY 74	181	219	102	3/8"	195	195	-	266	107	3/8"	-	212	15	1/2"
MLY 100	-	179	101	1/4"	-	155	-	222	107	1/4"	-	170	15	1/2"
MLY 76	-	179	101	1/4"	-	155	-	222	107	1/4"	-	170	15	1/2"
MLY 118	220	272	107	1/2"	200	240	275	303	114	1/2"	237	265	15	1/2"
MLY 163	-	179	101	1/4"	-	155	-	222	107	1/4"	-	170	15	1/2"
MLY 130	-	179	101	1/4"	-	155	-	222	107	1/4"	-	170	15	1/2"
MLY 200	235	305	112	3/4"	235	-	317	401	119	3/4"	273	357	20	3/4"
MLY 275	-	179	101	1/4"	-	155	-	222	107	1/4"	-	170	15	1/2"
MLY 195	-	179	101	1/4"	-	155	-	222	107	1/4"	-	170	15	1/2"
MLY 300	307	-	115	1"	293	-	343	-	124	1"	295	-	25	1"
MLY 420	-	179	101	1/4"	-	155	-	222	107	1/4"	-	170	15	1/2"

MODEL NUMBER

KEY TO SYMBOLS	
PUMP TYPE	P
FLOW RATE l/h	A
PVC VERSION	P
AISI-316L VERSION	A
VALVE&SEATS AISI-316L	P11
SEAT: INCOLOY 825-VALVE CARPENTER 20	A22
WITH SAFETY VALVE	VS
WITH SAFETY AND BACKPRESSURE VALVE	VSC
SERIE "ML" 4-20 mA ELECTRIC ACTUATOR	Z
UNI FLANGED CONNECTIONS	F
DUPLEX VALVE BALLS	DV

MLY 100 A DV F Z