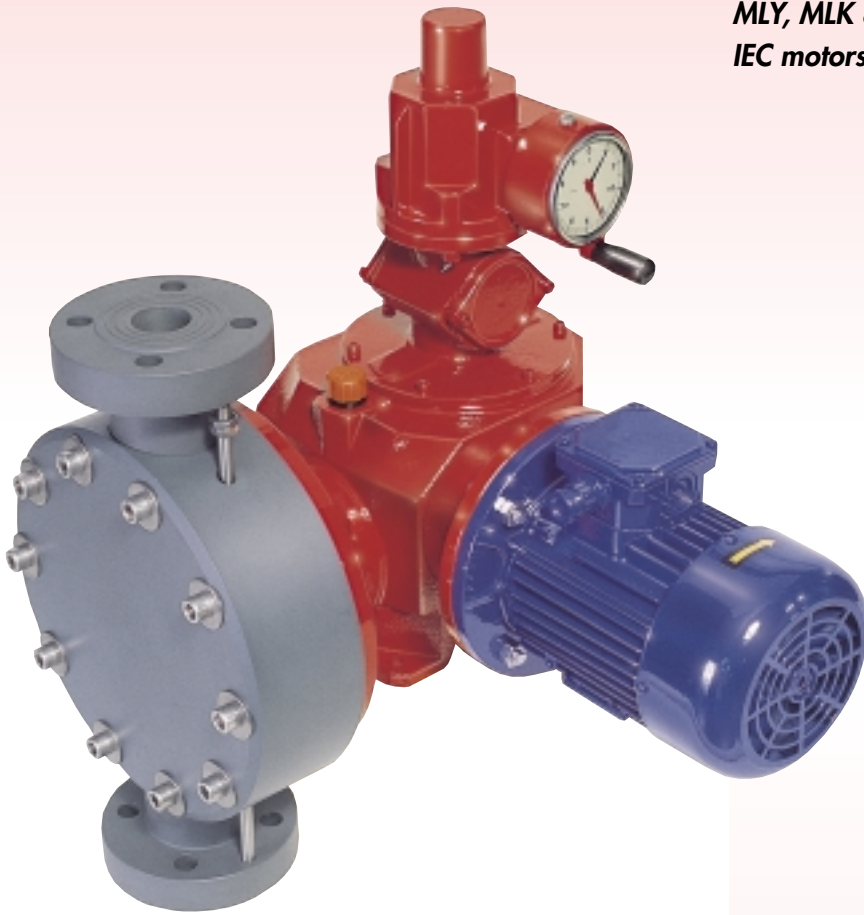


Stroke: 10 mm  
 Max Flow Rate: 1150 l/h  
 Motors : 0,75 kW  
 Pump: Single-Multiple  
 Cast Iron Casing



## Mechanical Diaphragm Metering Pumps Positive Return

*MLK is the middle size of the three ML sizes,  
 MLY, MLK & MLN.  
 IEC motors: size 80, frame B5 flange mounting.*

### CONSTRUCTION CHARACTERISTICS

- Unique OBL-designed positive displacement mechanism.
- Smooth, linear adjustment either while stationary or running, by means of gravitational dial handwheel.
- ±3 % repeatability over 20 to 100% of flow range.
- Max. temperature of the pumped liquid: 45° C
- Up to 3 m. w. c. suction lift.

Technical data are subject to modifications without prior notice.

#### TECHNICAL DATA

TYPE	STROKES/m	* FLOW RATE L/h	MAX PRESSURE BAR	CONNECTIONS			
				UNI		ANSI	
				AISI	PVC	AISI	PVC
MLK 380	42	360					
MLK 440	50	420	7	32	32	1 1/4"	1 1/2"
MLK 550	60	500					
MLK 620	50	600	4	40	40	1 1/2"	2"
MLK 800	60	750					
MLK 950	50	930	3	40	40	1 1/2"	2"
MLK 1150	60	1100					

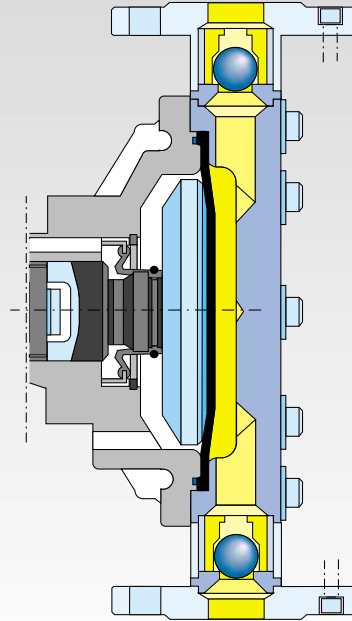
\* Flow rates given at 1,5 BAR pressure. Flow rate decreases by approximately 1% for each bar increased pressure.

#### MATERIALS OF CONSTRUCTION

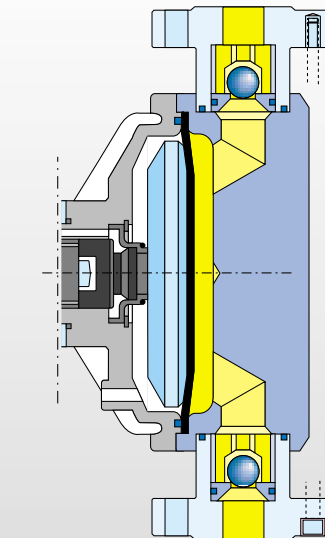
PARTS	A	P	P11	A22
LIQUID END	AISI 316L	PVC	PVC	AISI 316L
DIAPHRAGM	TEFLON/PTFE	TEFLON/PTFE	TEFLON/PTFE	TEFLON/PTFE
VALVE GUIDE	AISI 316L	POLITENE/PVC	POLITENE /PVC	AISI 316L
VALVE SEAT	AISI 316L	PVC	AISI 316L	INCOLOY 825
VALVE	AISI 316L	PIREX	AISI 316L	CARPENTER 20
VALVE SEAL	VITON/FPM	VITON/FPM	VITON/FPM	VITON/FPM

## PUMP HEADS

- The one-up diaphragm is used both on **AISI 316L** and **PVC** pump heads.
- The pump heads, both in **AISI 316L** and **PVC** construction, are machined from solid barstock, to eliminate the problems normally associated with castings.
- Valves are single ball type. Duplex valves can be supplied on demand.
- Suction and discharge connection are flanged.

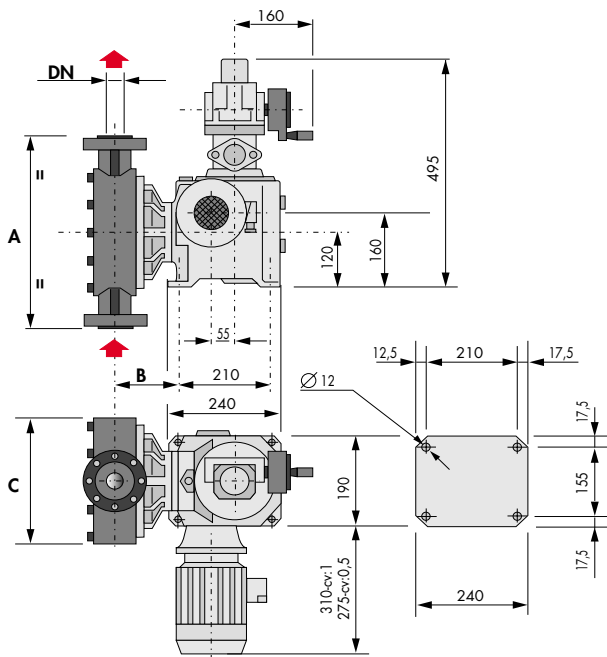


AISI 316L head, "A" construction, flanged connections.



PVC head, "P" construction, flanged connections.

### OVERALL DIMENSIONS



TYPE	AISI 316			PVC			DN UNI 2223/29		ANSI B16.5	
	A	B	C	A	B	C	AISI-316 PN 40	PVC PN 10	AISI-316 150 RF	PVC 150 RF
MLK 380										
MLK 440	350	108	240	394	132	270	32	32	1 1/4"	1 1/2"
MLK 550										
MLK 620	426	113	278	457	132	302	40	40	1 1/2"	2"
MLK 800										
MLK 950	470	116	320	497	135	345	40	40	1 1/2"	2"
MLK 1150										

### MODEL NUMBER

KEY TO SYMBOLS	
PUMP TYPE	
FLOW RATE l/h	
P	PVC VERSION
A	AISI-316L VERSION
P11	VALVE&SEATS AISI-316L
A22	SEAT: INCOLOY 825-VALVE CARPENTER 20
VS	WITH SAFETY VALVE
VSC	WITH SAFETY AND BACKPRESSURE VALVE
Z	SERIE "ML" 4+20 mA ELECTRIC ACTUATOR
F	UNI FLANGED CONNECTIONS
DV	DUPLEX VALVE BALLS

MLK 380 A DV F Z