

## TECHNICAL DATA

### Plunger Metering Pump Spring Return



- RBB series plunger metering pump with **AISI 316L** pump head.
- Chevron **PTFE** rings plunger packing with gland nut. **300l/h** max flow rate.

- Flow rates:** ● Max flow rate **300 L/h.**
- Motors:**
- Threephase special  
- 0.20 / 0.30 kW -  
4 Poles - IP55 - I.C.L.F - S1 - IEC 34-1
- |                       |
|-----------------------|
| Δ - 230 V - 50 Hz     |
| λ - 400 V - 50 Hz     |
| Δ - 220±290 V - 60 Hz |
| λ - 380±500 V - 60 Hz |
- Singlephase special  
- 0.24 kW - 4 Poles  
- IP55 - I.C.L.F - S1 - IEC 34-1
- |                   |
|-------------------|
| 220±240 V - 50 Hz |
| 110±115 V - 50 Hz |
| 220±230 V - 60 Hz |
| 110±115 V - 60 Hz |
- Pump:** ● Single unit
- Adjustment:** ● 0-10 scale micrometer knob
- Material:**
- Aluminium casing
  - PTFE coated cast iron lantern ring
- Stroke:** ● 15 mm.
- Weight:** ● 15±30 Kgs

### 50 Hz

TYPE	STROKES /	MAX FLOW RATE l/h	MAX PRESSURE BAR			MOTOR kW		THREADED CONNECTIONS	
			A	ATL	P	3PH	1PH	A-ATL	P
RBB6	50	0,8	-	40	10	0.20	0.24	1/4" g.f. BSPF	
RBB6	70	1,2	-	40	10	0.20	0.24	1/4" g.f. BSPF	
RBB6	95	1,8	-	40	10	0.20	0.24	1/4" g.f. BSPF	
RBB6	115	2,2	-	40	10	0.20	0.24	1/4" g.f. BSPF	
RBB10	36	2	10	40	10	0.20	0.24	1/4" g.f. BSPF	
RBB10	50	3	10	40	10	0.20	0.24	1/4" g.f. BSPF	
RBB10	70	4	10	40	10	0.20	0.24	3/8" g.f. BSPF	1/4" g.f. BSPF
RBB10	95	5,5	10	40	10	0.20	0.24	3/8" g.f. BSPF	1/4" g.f. BSPF
RBB10	115	7	10	40	10	0.20	0.24	3/8" g.f. BSPF	1/4" g.f. BSPF
RBB16	36	5	10	40	10	0.20	0.24	3/8" g.f. BSPF	
RBB16	50	7	10	40	10	0.20	0.24	3/8" g.f. BSPF	
RBB16	70	11	10	40	10	0.20	0.24	3/8" g.f. BSPF	
RBB16	95	15	10	40	10	0.20	0.24	3/8" g.f. BSPF	
RBB16	115	18	10	40	10	0.20	0.24	3/8" g.f. BSPF	
RBB25	36	15	10	30	10	0.20	0.24	3/8" g.f. BSPF	
RBB25	50	20	10	30	10	0.20	0.24	3/8" g.f. BSPF	
RBB25	70	30	10	30	10	0.20	0.24	3/8" g.f. BSPF	
RBB25	95	38	10	25	10	0.20	0.24	3/8" g.f. BSPF	
RBB25	115	45	10	20	10	0.20	0.24	3/8" g.f. BSPF	
RBB30	36	20	10	30	10	0.30	0.24	3/8" g.f. BSPF	
RBB30	50	30	10	30	10	0.30	0.24	3/8" g.f. BSPF	
RBB30	70	40	10	28	10	0.30	0.24	3/8" g.f. BSPF	
RBB30	95	55	10	23	10	0.30	0.24	3/8" g.f. BSPF	
RBB30	115	65	10	20	10	0.30	0.24	3/8" g.f. BSPF	
RBB43	36	40	10	12	10	0.30	0.24	3/8" g.f. BSPF	
RBB43	50	55	10	12	10	0.30	0.24	3/8" g.f. BSPF	
RBB43	70	90	10	12	10	0.30	0.24	3/8" g.f. BSPF	
RBB43	95	115	10	12	10	0.30	0.24	3/8" g.f. BSPF	
RBB43	115	150	10	10	10	0.30	0.24	1/2" g.f. BSPF	
RBB50	36	58	10	-	10	0.30	0.24	1/2" g.f. BSPF	
RBB50	50	80	10	-	10	0.30	0.24	1/2" g.f. BSPF	
RBB50	70	120	10	-	10	0.30	0.24	1/2" g.f. BSPF	
RBB50	95	160	9	-	9	0.30	0.24	1/2" g.f. BSPF	
RBB50	115	200	7	-	7	0.30	0.24	1/2" g.f. BSPF	
RBB62	36	90	7	-	7	0.30	-	3/4" g.f. BSPF	1/2" g.f. BSPF
RBB62	50	125	7	-	7	0.30	-	3/4" g.f. BSPF	1/2" g.f. BSPF
RBB62	70	175	6	-	6	0.30	-	3/4" g.f. BSPF	1/2" g.f. BSPF
RBB62	95	250	5	-	5	0.30	-	3/4" g.f. BSPF	1/2" g.f. BSPF
RBB62	115	300	4	-	4	0.30	-	3/4" g.f. BSPF	1/2" g.f. BSPF

### 60 Hz

RBB6	43	0,7	-	40	10	0.20	0.24	1/4" g.f. BSPF	
RBB6	60	1	-	40	10	0.20	0.24	1/4" g.f. BSPF	
RBB6	84	1,5	-	40	10	0.20	0.24	1/4" g.f. BSPF	
RBB6	118	2,2	-	40	10	0.20	0.24	1/4" g.f. BSPF	
RBB10	30	1,6	10	40	10	0.20	0.24	1/4" g.f. BSPF	
RBB10	43	2,5	10	40	10	0.20	0.24	1/4" g.f. BSPF	
RBB10	60	3,4	10	40	10	0.20	0.24	3/8" g.f. BSPF	1/4" g.f. BSPF
RBB10	84	4,8	10	40	10	0.20	0.24	3/8" g.f. BSPF	1/4" g.f. BSPF
RBB10	118	7	10	40	10	0.20	0.24	3/8" g.f. BSPF	1/4" g.f. BSPF
RBB16	43	6	10	40	10	0.20	0.24	3/8" g.f. BSPF	
RBB16	60	9,5	10	40	10	0.20	0.24	3/8" g.f. BSPF	
RBB16	84	13	10	40	10	0.20	0.24	3/8" g.f. BSPF	
RBB16	118	18	10	40	10	0.20	0.24	3/8" g.f. BSPF	
RBB25	43	16	10	30	10	0.20	0.24	3/8" g.f. BSPF	
RBB25	60	24	10	30	10	0.20	0.24	3/8" g.f. BSPF	
RBB25	84	33	10	27	10	0.20	0.24	3/8" g.f. BSPF	
RBB25	118	45	10	20	10	0.20	0.24	3/8" g.f. BSPF	
RBB30	43	24	10	30	10	0.30	0.24	3/8" g.f. BSPF	
RBB30	60	34	10	30	10	0.30	0.24	3/8" g.f. BSPF	
RBB30	84	48	10	25	10	0.30	0.24	3/8" g.f. BSPF	
RBB30	118	65	10	20	10	0.30	0.24	3/8" g.f. BSPF	
RBB43	43	50	10	12	10	0.30	0.24	3/8" g.f. BSPF	
RBB43	60	78	10	12	10	0.30	0.24	3/8" g.f. BSPF	
RBB43	84	100	10	12	10	0.30	0.24	3/8" g.f. BSPF	
RBB43	118	150	10	-	10	0.30	0.24	1/2" g.f. BSPF	
RBB50	43	70	10	-	10	0.30	0.24	1/2" g.f. BSPF	
RBB50	60	102	10	-	10	0.30	0.24	1/2" g.f. BSPF	
RBB50	84	140	9	-	9	0.30	0.24	1/2" g.f. BSPF	
RBB50	118	200	7	-	7	0.30	0.24	1/2" g.f. BSPF	
RBB62	43	105	7	-	7	0.30	-	3/4" g.f. BSPF	1/2" g.f. BSPF
RBB62	60	152	6	-	6	0.30	-	3/4" g.f. BSPF	1/2" g.f. BSPF
RBB62	84	205	5	-	5	0.30	-	3/4" g.f. BSPF	1/2" g.f. BSPF
RBB62	118	300	4	-	4	0.30	-	3/4" g.f. BSPF	1/2" g.f. BSPF

\* Pressure with singlephase motor decreases by 25% for sizes: RBB25-30-43ATL - RBB50 A/P.

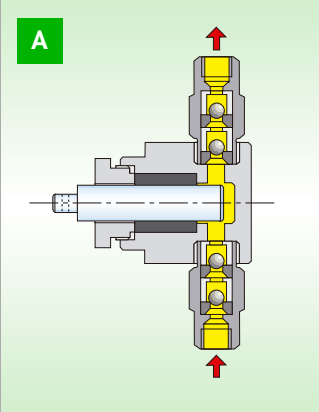
## MODEL NUMBER

KEY TO SYMBOLS	
PUMP MODEL	
☑ PLUNGER	
A	AISI-316L VERSION
P	PVC VERSION
STROKES PER MINUTE	
Z	OBL 4±20 mA ELECTRIC ACTUATOR
W	3±15 PSI PNEUMATIC ACTUATOR
F UNI-DIN FLANGED CONNECTIONS	
...	= 0 ÷ 10 BAR VERSION (NO NEED OF MODEL NO.)
TL	= 10 ÷ 40 BAR

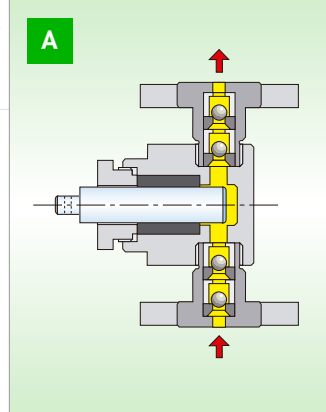
RBB 30 A 95

## PUMP HEADS MATERIALS OF CONSTRUCTION

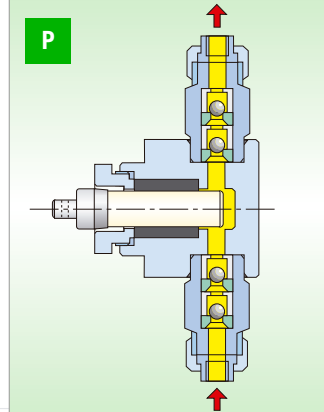
PARTICOLARI	A	P	P11	ATL	AC	AC TL
LIQUID END	AISI-316L	PVC	PVC	AISI-316L	AISI-316L	AISI-316L
PLUNGER	AISI-316L	CERAMIC	CERAMIC	AISI-316L	CERAMIC	CERAMIC
PLUNGER PACK.	PTFE	PTFE	PTFE	PTFE	PTFE	PTFE.
VALVE SEAT	AISI-316L	PVC	AISI-316L	AISI-316L	AISI-316L	AISI-316L
VALVE AISI-316L	PIREX	AISI-316L	AISI-316L	AISI-316L	AISI-316L	AISI-316L
VALVE SEAL	FPM	FPM	FPM	FPM	FPM	FPM



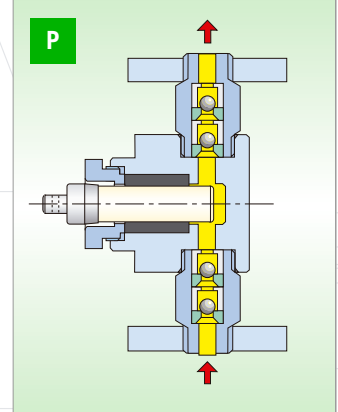
Stainless steel head. "A" execution. Threaded connections.



Stainless steel head. "A" execution. Flanged connections.



PVC head. "P" execution. Threaded connections.



PVC head. "P" execution. Flanged connections.

## OVERALL DIMENSIONS

### CONSTRUCTION CHARACTERISTICS

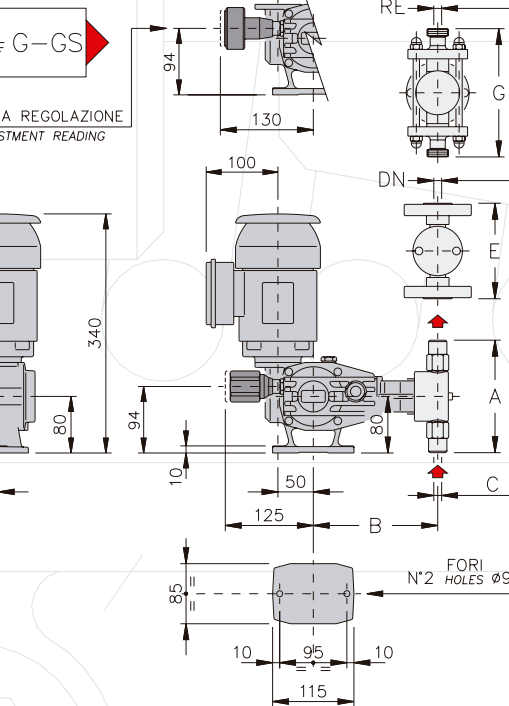
● **Mechanism:**

Mechanism and reduction gear are enclosed in an oil-bath lubricated aluminium casing. PTFE coated cast iron lantern ring.

● Smooth flowrate adjustment by control knob, both with pump running and at rest.

● 1.5 metres max suction lift.

REGOLAZIONE TRAMITE OROLOGIO GRAVITAZIONALE  
ADJUSTMENT BY MEANS OF GRAVITATIONAL WATCH



TYPE	AISI 316 L										PVC					PVDF					DN <sup>UNI</sup>		DN <sup>ANSI</sup>						
	A	A <sup>dv</sup>	A <sup>dvL</sup>	B	B <sup>L</sup>	C g.f.	E	E <sup>dv</sup>	E <sup>dvL</sup>	G	G <sup>dv</sup>	RE <sup>DN</sup>	A	A <sup>dv</sup>	B	C g.f.	E	E <sup>dv</sup>	A	A <sup>dv</sup>	B	C g.f.	E	E <sup>dv</sup>	AISI	PVC PVDF	AISI	PVC PVDF	
RBB 6	-	-	124	-	198	1/4" g.f. BSPF	-	-	100	200	246	10	-	140	197	1/4" g.f. BSPF	-	140	-	140	197	1/4" g.f. BSPF	-	140	15	15	1/2"	1/2"	
RBB 10	-	159	133	174	197	(0)	-	135	109	-	-	-	-	140	199	1/4" g.f. BSPF	-	140	-	140	199	1/4" g.f. BSPF	-	140	15	15	1/2"	1/2"	
RBB 16	-	159	150	173	195	3/8" g.f. BSPF	-	135	126	200	246	10	-	214	174	3/8" g.f. BSPF	-	160	-	181	191	3/8" g.f. BSPF	-	181	15	15	1/2"	1/2"	
RBB 25	121	159	150	173	195	3/8" g.f. BSPF	135	135	126	210	266	15	-	214	174	3/8" g.f. BSPF	160	160	-	186	191	3/8" g.f. BSPF	-	186	15	15	1/2"	1/2"	
RBB 30	121	159	150	176	195	3/8" g.f. BSPF	135	135	126	-	-	-	-	214	174	3/8" g.f. BSPF	160	160	-	186	191	3/8" g.f. BSPF	-	186	15	15	1/2"	1/2"	
RBB 43x	136	-	198	176	198	3/8" g.f. BSPF	150	-	-	252	308	20	-	246	177	3/8" g.f. BSPF	192	192	-	196	191	3/8" g.f. BSPF	-	196	15	15	1/2"	1/2"	
RBB 43z	156	-	198	176	198	1/2" g.f. BSPF	156	-	-	252	308	20	-	246	177	3/8" g.f. BSPF	192	192	-	196	191	3/8" g.f. BSPF	-	196	15	15	1/2"	1/2"	
RBB 50	156	-	-	180	-	1/2" g.f. BSPF	160	-	-	-	-	-	-	244	-	183	1/2" g.f. BSPF	204	-	194	-	183	1/2" g.f. BSPF	204	-	15	15	1/2"	1/2"
RBB 62	202	-	-	195	-	3/4" g.f. BSPF	187	-	-	280	-	20	250	-	205	1/2" g.f. BSPF	210	-	200	-	205	1/2" g.f. BSPF	210	-	20	15	3/4"	1/2"	

## SECTIONAL VIEW

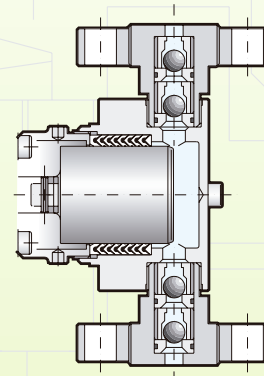
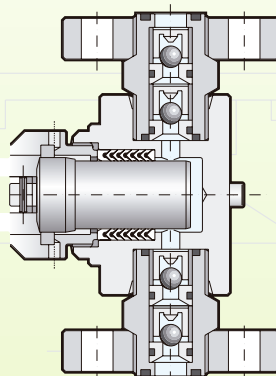
### PUMP HEADS

- Execution with single ball and double check valves.
- Chevron reinforced PTFE plunger packing, adjustable via packing gland tightening.
- Suction and discharge connections normally threaded; on demand, flanged.
- The standard materials are listed at pag. 8.
- Executions in special materials can be supplied on demand.
- Max. temperature of metered liquid:
  - with stainless steel heads: 90°C.
  - with stainless steel heads and ceramic piston: 90°C.
  - with PVC heads: 40°C - with PVDF heads: 70°C.

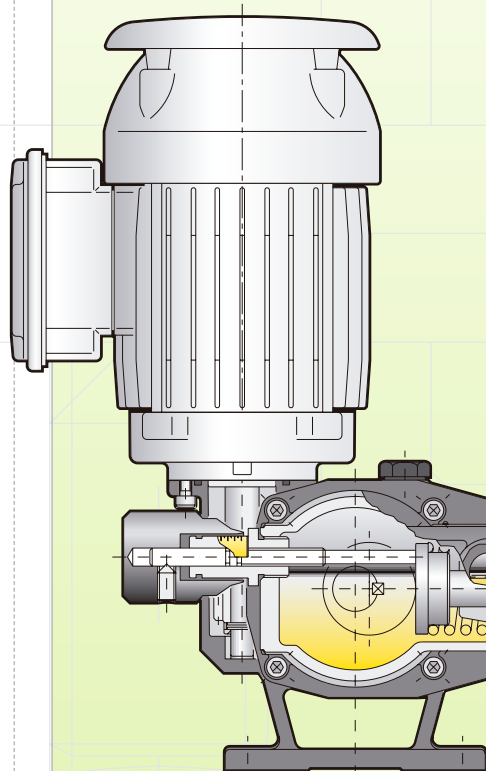
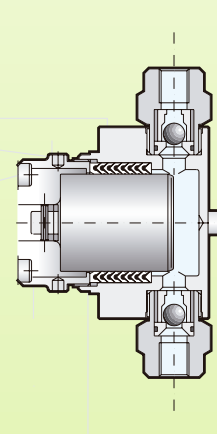
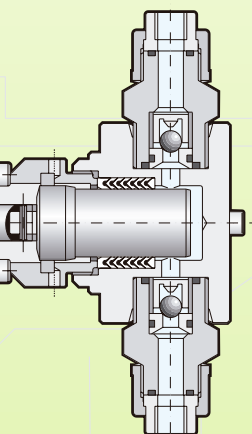
### PVC

### AISI 316L

#### FLANGED EXECUTIONS



#### THREADED EXECUTIONS



## ADJUSTMENT SYSTEMS

- **Manual:** With 0-10 scale micrometer knob.
- **Electric:** Via **OBL** designed **Z** electrical actuator.
- **Pneumatic:** Via a 3÷15 PSI. **W** pneumatic actuator.

### STANDARD MANUAL ADJUSTMENT

- Adjustment via 0-10 scale micrometer knob.

