



TECHNICAL DATA

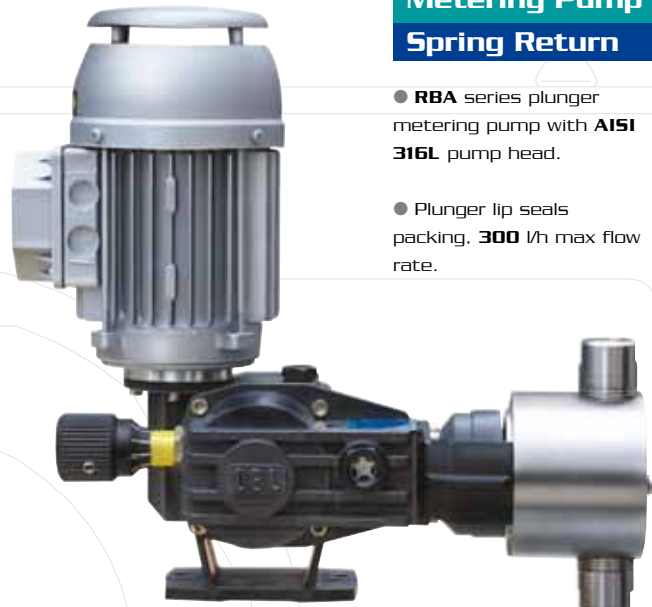
50 Hz

TYPE	STROKES /1	MAX FLOW RATE l/h	MAX PRESSURE BAR		MOTOR kW		THREADED CONNECTIONS	
			MOTOR		3PH	1PH	A	P
			3PH	1PH				
RBA16	36	5	10	10	0.20	0.24	3/8" g.f.- BSPF	
RBA16	50	7	10	10	0.20	0.24	3/8" g.f.- BSPF	
RBA16	70	11	10	10	0.20	0.24	3/8" g.f.- BSPF	
RBA16	95	15	10	10	0.20	0.24	3/8" g.f.- BSPF	
RBA16	115	18	10	10	0.20	0.24	3/8" g.f.- BSPF	
RBA25	50	20	10	10	0.20	0.24	3/8" g.f.- BSPF	
RBA25	70	30	10	10	0.20	0.24	3/8" g.f.- BSPF	
RBA25	95	38	10	10	0.20	0.24	3/8" g.f.- BSPF	
RBA25	115	45	10	10	0.20	0.24	3/8" g.f.- BSPF	
RBA30	50	30	10	10	0.20	0.24	3/8" g.f.- BSPF	
RBA30	70	40	10	10	0.20	0.24	3/8" g.f.- BSPF	
RBA30	95	55	10	10	0.20	0.24	3/8" g.f.- BSPF	
RBA30	115	65	10	10	0.20	0.24	3/8" g.f.- BSPF	
RBA43	50	55	10	10	0.30	0.24	3/8" g.f.- BSPF	
RBA43	70	90	10	10	0.30	0.24	3/8" g.f.- BSPF	
RBA43	95	115	10	10	0.30	0.24	3/8" g.f.- BSPF	
RBA43	115	150	10	10	0.30	0.24	3/8" g.f.- BSPF	
RBA50	50	80	10	10	0.30	0.24	1/2" g.f.- BSPF	
RBA50	70	120	10	8	0.30	0.24	1/2" g.f.- BSPF	
RBA50	95	160	10	7	0.30	0.24	1/2" g.f.- BSPF	
RBA50	115	200	9	6	0.30	0.24	1/2" g.f.- BSPF	
RBA62	50	125	10	5	0.30	0.24	1/2" g.f.- BSPF	
RBA62	70	175	7	4	0.30	0.24	1/2" g.f.- BSPF	
RBA62	95	250	6	3.5	0.30	0.24	1/2" g.f.- BSPF	
RBA62	115	300	5	3	0.30	0.24	1/2" g.f.- BSPF	

60 Hz

RBA16	30	4.5	10	10	0.20	0.24	3/8" g.f.- BSPF	
RBA16	43	6.5	10	10	0.20	0.24	3/8" g.f.- BSPF	
RBA16	60	9	10	10	0.20	0.24	3/8" g.f.- BSPF	
RBA16	84	13	10	10	0.20	0.24	3/8" g.f.- BSPF	
RBA16	118	18	10	10	0.20	0.24	3/8" g.f.- BSPF	
RBA25	40	16	10	10	0.20	0.24	3/8" g.f.- BSPF	
RBA25	60	24	10	10	0.20	0.24	3/8" g.f.- BSPF	
RBA25	84	33	10	10	0.20	0.24	3/8" g.f.- BSPF	
RBA25	118	45	10	10	0.20	0.24	3/8" g.f.- BSPF	
RBA30	43	24	10	10	0.20	0.24	3/8" g.f.- BSPF	
RBA30	60	34	10	10	0.20	0.24	3/8" g.f.- BSPF	
RBA30	84	48	10	10	0.20	0.24	3/8" g.f.- BSPF	
RBA30	118	65	10	10	0.20	0.24	3/8" g.f.- BSPF	
RBA43	43	50	10	10	0.30	0.24	3/8" g.f.- BSPF	
RBA43	60	78	10	10	0.30	0.24	3/8" g.f.- BSPF	
RBA43	84	100	10	10	0.30	0.24	3/8" g.f.- BSPF	
RBA43	118	150	10	10	0.30	0.24	3/8" g.f.- BSPF	
RBA50	43	70	10	10	0.30	0.24	1/2" g.f.- BSPF	
RBA50	60	102	10	8	0.30	0.24	1/2" g.f.- BSPF	
RBA50	84	140	10	7	0.30	0.24	1/2" g.f.- BSPF	
RBA50	118	200	9	6	0.30	0.24	1/2" g.f.- BSPF	
RBA62	43	105	10	5	0.30	0.24	1/2" g.f.- BSPF	
RBA62	60	152	7	4	0.30	0.24	1/2" g.f.- BSPF	
RBA62	84	205	6	3.5	0.30	0.24	1/2" g.f.- BSPF	
RBA62	118	300	5	3	0.30	0.24	1/2" g.f.- BSPF	

Plunger Metering Pump Spring Return



- RBA series plunger metering pump with **AISI 316L** pump head.
- Plunger lip seals packing, **300 l/h** max flow rate.

Flow rates: ● Max flow rate **300 L/h.**

Motors: ● Threephase special
- 0.20 / 0.30 kW -
4 Poles - IP55 - I.C.L.F - S1 - IEC 34-1

Δ - 230 V - 50 Hz
λ - 400 V - 50 Hz
Δ - 220÷290 V - 60 Hz
λ - 380÷500 V - 60 Hz

● Singlephase special
- 0.24 kW - 4 Poles
- IP55 - I.C.L.F - S1 - IEC 34-1

220÷240 V - 50 Hz
110÷115 V - 50 Hz
220÷230 V - 60 Hz
110÷115 V - 60 Hz

Pump: ● Single unit

Adjustment: ● 0-10 scale micrometer knob

Material: ● Aluminium casing
● PTFE coated cast iron lantern ring

Stroke: ● **15 mm.**

Weight: ● **15÷30 Kgs**



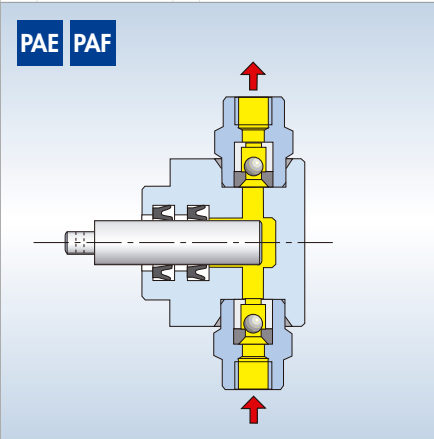
MODEL NUMBER

KEY TO SYMBOLS	
PUMP MODEL	
Ø	PLUNGER
A	AISI-316L VERSION
P	PVC VERSION
STROKES PER MINUTE	
Z	OBL 4±20 mA ELECTRIC ACTUATOR
W	3÷15 PSI PNEUMATIC ACTUATOR
F	UNI-DIN FLANGED CONNECTIONS

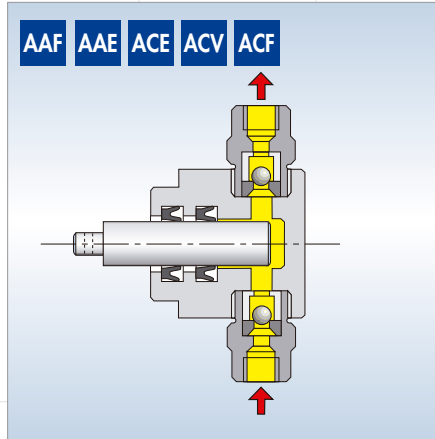
RBA 30 A 95

PUMP HEADS MATERIALS OF CONSTRUCTION

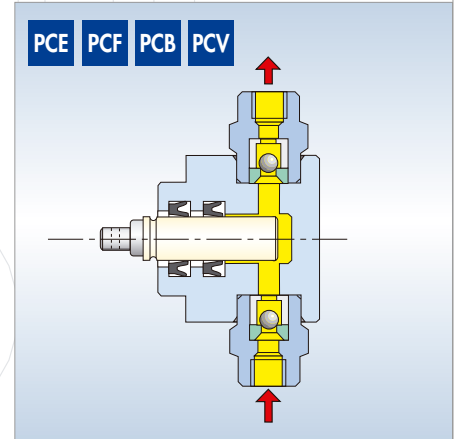
PARTS	PAE	PAF	PCE	PCF	PCB	PCV	AAF	AAE	ACE	ACV	ACF
LIQUID END	PVC	PVC	PVC	PVC	PVC	PVC	AISI-316L	AISI-316L	AISI-316L	AISI-316L	AISI-316L
PLUNGER	AISI-316L	AISI-316L	CERAMIC	CERAMIC	CERAMIC	CERAMIC	AISI-316L	AISI-316L	CERAMIC	CERAMIC	CERAMIC
VALVE SEAT	AISI-316L	AISI-316L	PVC	PVC	AISI-316L	AISI-316L	AISI-316L	AISI-316L	AISI-316L	AISI-316L	AISI-316L
VALVE GUIDE	PP	PP	PP	PP	PP	PP	AISI-316L	AISI-316L	AISI-316L	AISI-316L	AISI-316L
VALVE	AISI-316L	AISI-316L	PIREX	PIREX	AISI-316L	AISI-316L	AISI-316L	AISI-316L	AISI-316L	AISI-316L	AISI-316L
VALVE CONTAINER	PVC	PVC	PVC	PVC	PVC	PVC	AISI-316L	AISI-316L	AISI-316L	AISI-316L	AISI-316L
PLUNGER PACK.	EPDM	FPM	EPDM	FPM	EPDM	VULKOL.	FPM	EPDM	EPDM	VULKOL.	FPM



PVC head , stainless steel plunger and valves. "PA" execution. Threaded connections.



Stainless steel head and inox steel plunger. "A" execution. Threaded connections.

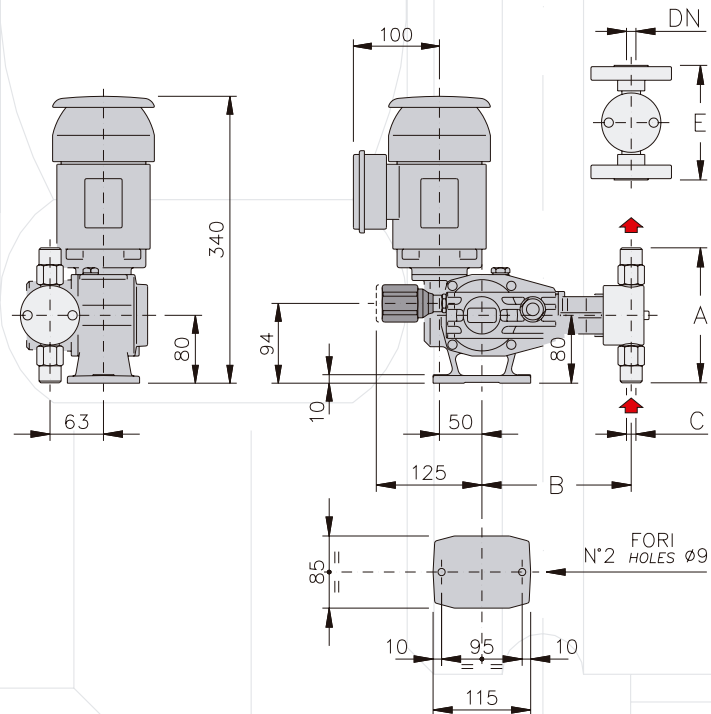


PVC head , ceramic plunger. "PC" execution. Threaded connections.

OVERALL DIMENSIONS

CONSTRUCTION CHARACTERISTICS

- **Mechanism:**
Mechanism and reduction gear are enclosed in an oil-bath lubricated aluminium casing. PTFE coated cast iron lantern ring.
- Smooth flowrate adjustment by control knob, both with pump running and at rest.
- 1.5 metres max suction lift.



TYPE	AISI 316 L					PVC				DN UNI		DN ANSI		
	50Hz	60Hz	A	B	C g.f.	E	A	B	C g.f.	E	AISI	PVC	AISI	PVC
RBA 16			121	180	3/8" g.f. BSPF	135	182	174	3/8" g.f. BSPF	146	15	15	1/2"	1/2
RBA 25			121	180	3/8" g.f. BSPF	135	182	174	3/8" g.f. BSPF	146	15	15	1/2"	1/2
RBA 30			121	180	3/8" g.f. BSPF	135	182	174	3/8" g.f. BSPF	146	15	15	1/2"	1/2
RBA 43			126,5	180	3/8" g.f. BSPF	140,5	194	177	3/8" g.f. BSPF	158	15	15	1/2"	1/2
RBA 50			157	193	1/2" g.f. BSPF	157	214	183	1/2" g.f. BSPF	176	15	15	1/2"	1/2
RBA 62			155	198	1/2" g.f. BSPF	159	240	195	1/2" g.f. BSPF	202	15	15	1/2"	1/2

QUANG MINH CO., LTD
www.quangminhvn.com

SECTIONAL VIEW

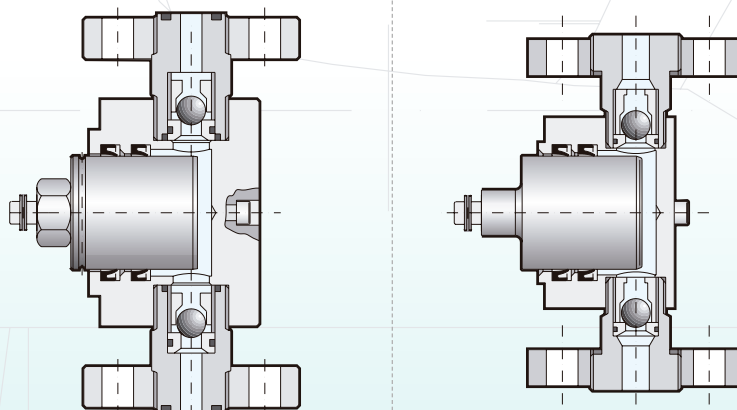
PUMP HEADS

- Execution with single ball valves only.
- Plunger lip seals, three materials: FPM - EPDM - VULKOLLAN.
- Suction and discharge connections normally threaded; on demand, flanged.
- The construction materials are listed at page 4.
- Max. temperature for all lip seal types: 40 °C.

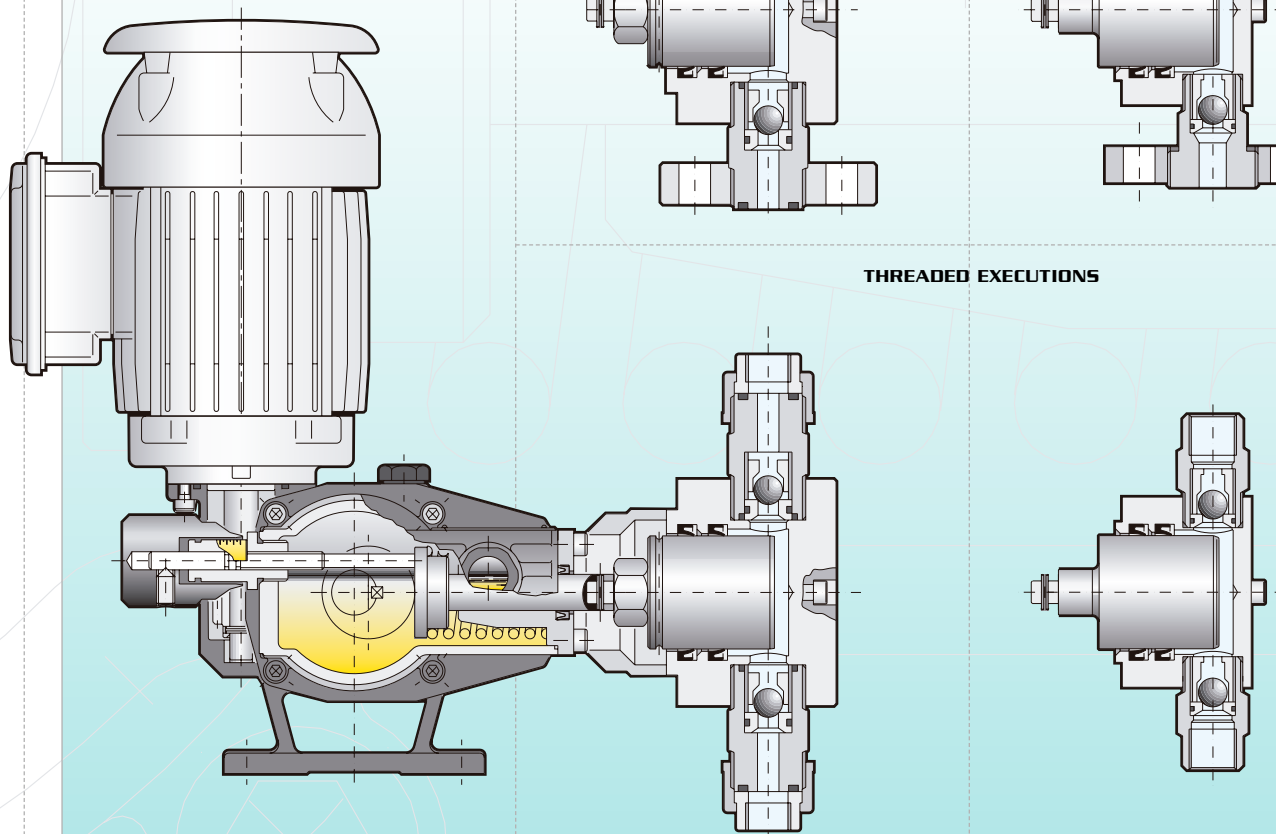
PVC

AISI 316L

FLANGED EXECUTIONS



THREADED EXECUTIONS



ADJUSTMENT SYSTEMS

- **Manual:** With 0-10 scale micrometer knob.
- **Electric:** Via **OBL** designed **Z** electrical actuator.
- **Pneumatic:** Via a 3÷15 PSI. **W** pneumatic actuator.

STANDARD MANUAL ADJUSTMENT

- Adjustment via 0-10 scale micrometer knob.



QUANG MINH CO., LTD
www.quangminhvn.com