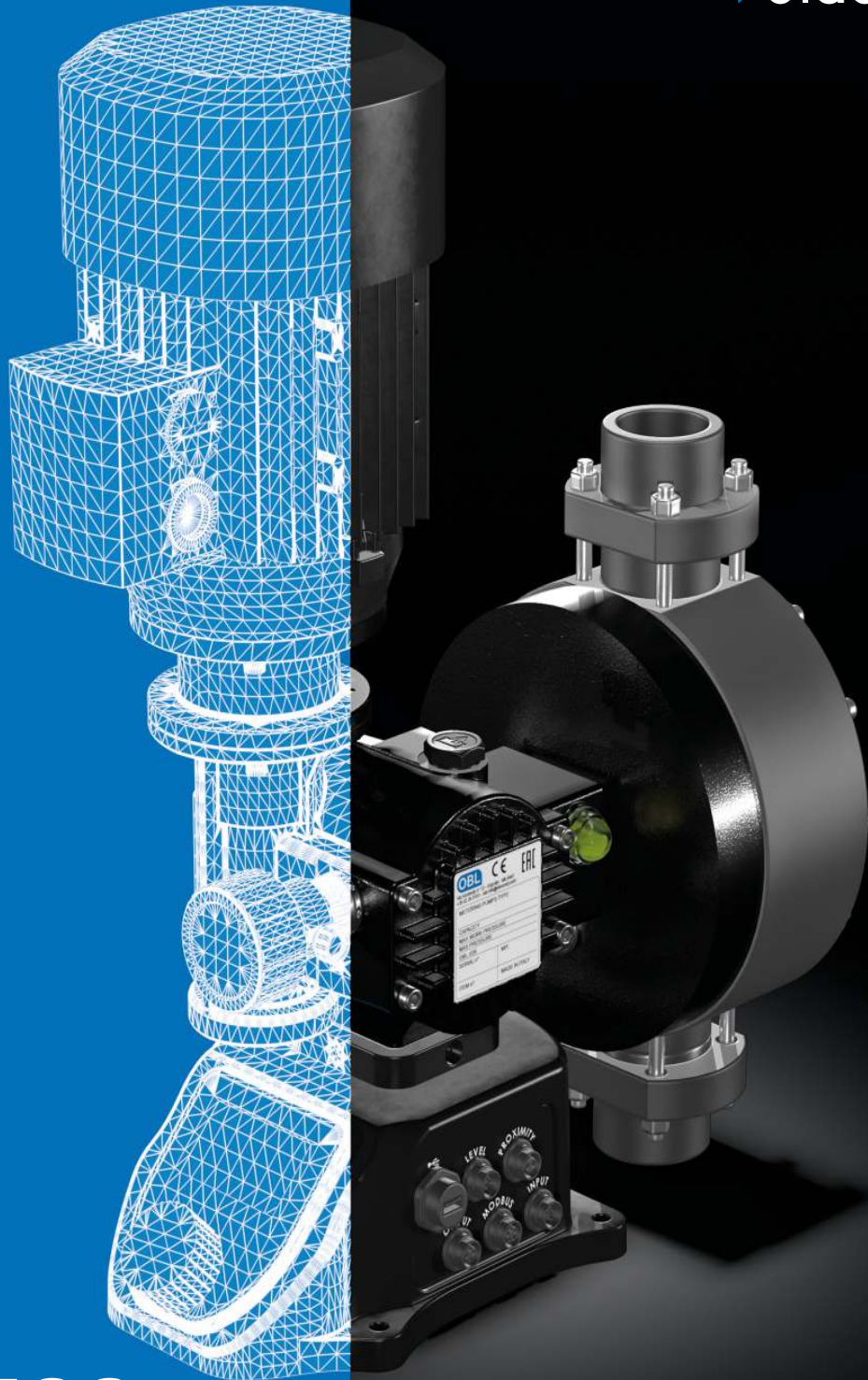


**IDEX**

**OBL**

▶ **blackline** ▶



**M1500**  
**R100**

**OBL S.r.l.** Via Kennedy, 12  
20090 Segrate (MI) - Italy  
Tel. +39.02.269191 - Fax +39.02.2133893  
oblinfo@idexcorp.com - oblpumps.it

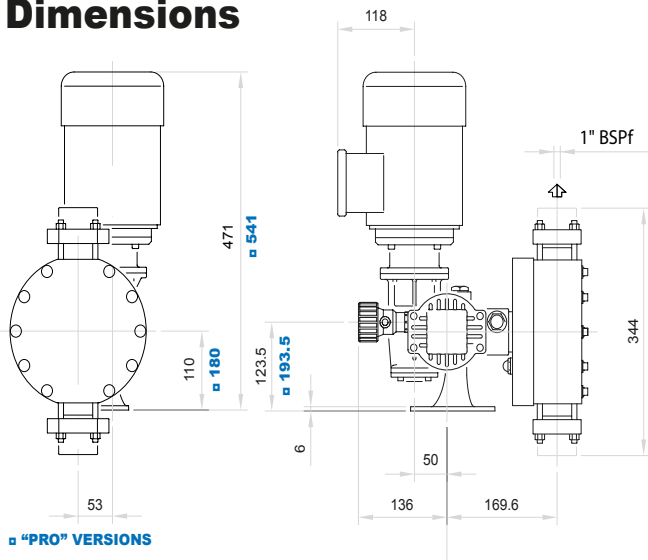
# M1500



**M1500** is the mechanical diaphragm pump of the **M series** with increased performance up to 1500 l/h and 5 barg. From the **Blackline family** the **M1500** pump inherits the constructive characteristics and reduced footprint, while the newly designed preformed diaphragm and the axial-mounted O-rings on the valve assemblies contribute to further increase its durability and reliability. As with all the other pumps of the **Blackline family**, the **M1500** is made of cataphoresis painted aluminum, for superior strength and corrosion resistance.

TECHNICAL DATA								
MODEL	M810	M1070	M1260	M1500	M960	M1140	M1350	M1640
Pump Body	Cataphoresis Aluminum Coating							
Remote Control	Fully compatible with PRO and Z actuator							
Ø (mm)	200							
Stroke Length (mm)	15							
Flowrate (l/h)	810	1070	1260	1500	960	1140	1350	1640
Max Pressure (barg)	5	5	5	5	5	5	5	4
SPM	70	95	115	155	84	114	138	186
Threaded Connections	1" ½ BSP F				1" ½ NPT F			
Flanged Connections	DN40 PN16				1" ½ ANSI150 RF			
Amb. Temp. (°C)	-10° + 60°							
Max Temp. Dosed Fluid (°C)	60°							
Motor Power (KW)	0,75							1,1
Motor Size	80							90
Voltage (V)	230/400 (3 phase)							
Frequency (HZ)	50				60			
Pumphead	PP							
Diaphragm	PTFE (process side) + NBR							
Valve Guide	PP							
Valve Seat	PP or AISI316L							
Valve Ball	PYREX or AISI316L							
Valve Housing	PP							
Gaskets	PTFE							

## Dimensions



## Performance

