

JetFlex® HD 270 Disc Diffuser



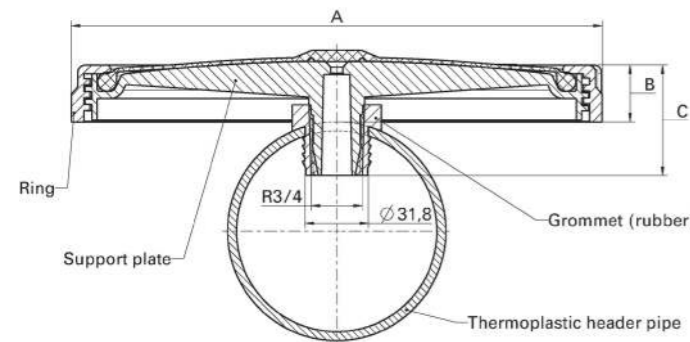


Dimensions

Diameter total [A] / effective	Installation height above pipe [B]	Overall height [C]	Orifice	Thread
268/218 mm	30 mm	60 mm	8 mm	R 3/4"

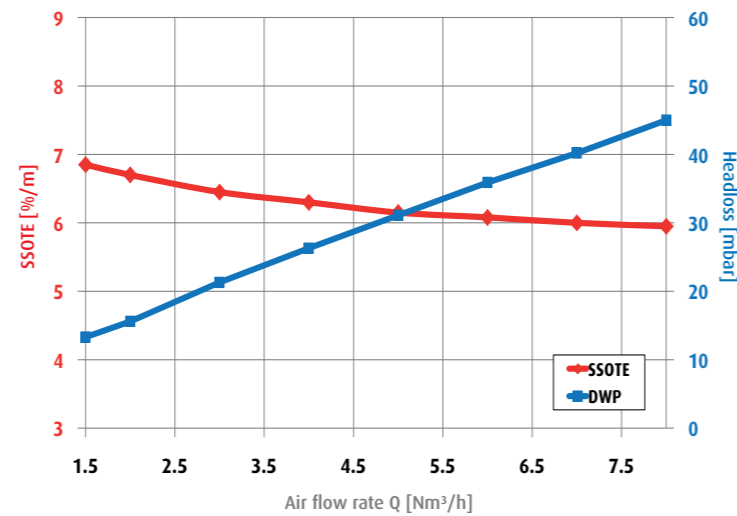


Installation drawing



A = 268 mm
B = 30 mm
C = 60 mm

SSOTE and headloss for HD 270 F053A



Perforated area	Air flow rate at standard operating conditions	Max. overload / maintenance air flow rate	Operating mode
0.037 m²	1.5 - 8 Nm³/h	10 Nm³/h	continuous/intermittent

Connectors to plastic header pipe

	Colour	Permitted wall thickness of header tube	Diameter of straightdrill hole	Material
Rubber saddle	black	4 - 8 mm	32 mm	EPDM 75 ± 5 Shore A
PVC saddle 90 + 110 mm	grey/white	2 mm	35 mm	PVC
Clamp adapter 90 + 110 mm	black	2 mm	multiple	PP 20 % GF / SI / VA

Please see our operation manuals for more details.



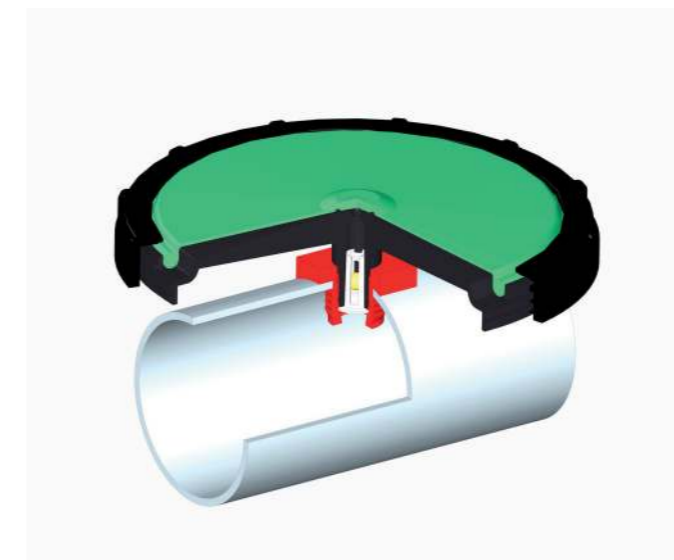
Membrane materials

Material	Techn. standard	EPDM F053A	EPDM F057A	Techn. standard	Silicone
Colour		black	black		green
Plasticiser (%)		28	9		0
Density (g/cm³)	DIN EN ISO 1183-1	1.07	1.06	DIN EN ISO 1183-1	1.17
Tensile strength (N/mm²)	DIN 53504	>10	>8	DIN 53504	>9
Elongation at break (%)	DIN 53504	>450	>300	DIN 53504	>510
Tear strength (N/mm)	DIN EN ISO 34-1 (method A)	>6	>3	DIN EN ISO 34-1 (method B)	>36
Hardness (Shore A)	DIN ISO 7619	52 ± 5	60 ± 5	DIN 53505	60 ± 5
Operating air temperature (°C)		5 - 80	5 - 80		5 - 100
Operating water temperature (°C)		5 - 40	5 - 40		5 - 40

Support plates

Material	Colour
PP 30% GF	black

Accessories



Rubber saddle PVC saddle Check valve



Clamp adapter with female thread Clamp adapter without thread

Please see our accessories catalogue for more details.



Jäger Umwelt-Technik GmbH
Lohweg 1
30559 Hannover
Germany
☎ +49 511 646 440
☎ +49 511 646 444 99
✉ info@jaeger-envirotech.com
🌐 www.jaeger-envirotech.com



Disclaimer

We exclude any liability for the information and product presentations provided. Contents of technical character are based on the date of publication. Existing copyrights and rights to the use of names remain unaffected.