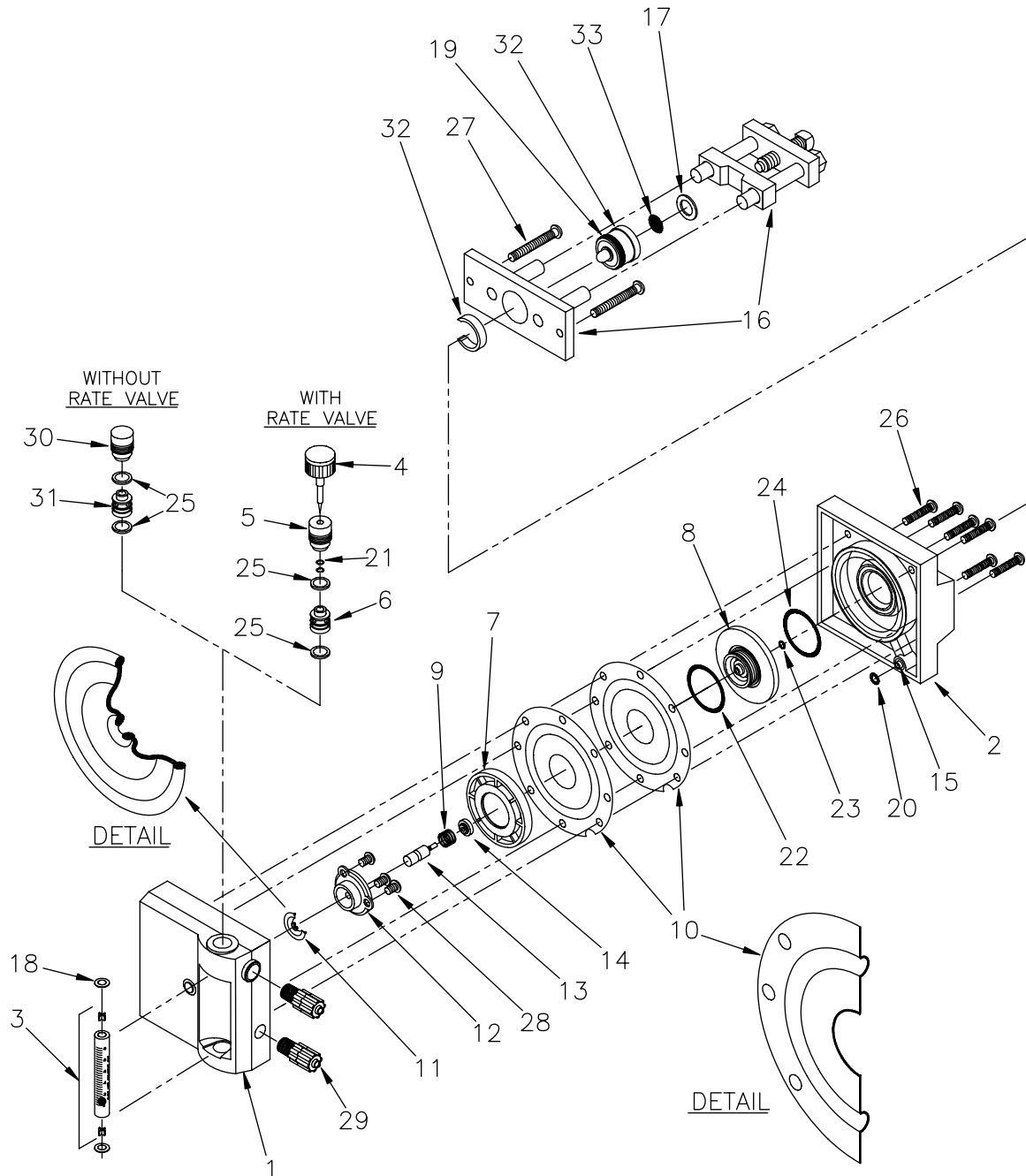


**ADVANCE® Model 480**  
**Vacuum Regulator**  
**100 PPD (2.0 kg/h) Maximum**  
**Chlorine**



*Disinfection Products*



**See reverse side for parts description**

KEY NO.	QTY.	DESCRIPTION	PART NO.
1	1	FRONT BODY ASSEMBLY	A-822
2	1	BACK BODY	U-198
3	1	FLOWMETER ASSEMBLY	SEE CHART
4	1	RATE VALVE ASSEMBLY	SEE CHART
5	1	VALVE BONNET	U-349
6	1	VALVE SLEEVE	U-350
7	1	DIAPHRAGM FRONT PLATE	U-325
8	1	DIAPHRAGM BACK PLATE	U-328
9	1	RELIEF SPRING	S-100
10	1 SET	DIAPHRAGM (2 PER SET)	D-108
+ 11	1	SEALING DIAPHRAGM	D-102
12	1	SEAL COVER	U-351
13	1	GUIDE PIN	W-153
14	1	SPRING RETAINER	U-352
15	1	FLOW TUBE	U-162
16	1	YOKE ASSEMBLY (SEE PARTS LIST 100.7002)	-----
17	1	LEAD GASKET (SEE PARTS LIST 100.7002)	-----
+ 18	2	METER GASKET	SEE CHART
19	1	O-RING (SEE NOTE 3)	OV-11-212
+ 20	1	O-RING	OV-11-012
+ 21	2	O-RING	OV-11-008
+ 22	1	O-RING	OV-11-028
+ 23	1	O-RING	OV-11-009
+ 24	1	O-RING	OV-11-325
+ 25	2	O-RING	OV-11-112
26	6	SCREW, 1/4-20 X 1-1/4 INCH LG	N-130
27	2	SCREW, 1/4-20 X 2-1/4 INCH LG	N-129
28	3	SCREW, 1/4-20 X 3/8 INCH LG	N-157
29	2	3/8 INCH TUBING CONNECTOR	F-100
30	1	BONNET PLUG	U-430
31	1	VALVE SLEEVE	U-436
32	1	INLET CAPSULE ASSEMBLY (SEE PARTS LIST 100.7002)	-----
33	1	REPLACEMENT FILTER	BM-1023

CAPACITY PPD (G/H) (KG/H)

KEY NO.		4 (75)	10 (200)	25 (0.5 KG/H)	50 (1.0 KG/H)	100 (2.0 KG/H)
3	PPD	A-108-3	A-108-4	A-108-5	A-108-6	A-108-8
	G/H	A-108-3-M	A-108-4-M			
4		A-665-1	A-665-1	A-665-1	A-665-2	A-665-2
18		G-100-1	G-100-1	G-100-2	G-100-3	G-100-3

NOTES:

- (+) INDICATE PARTS INCLUDED IN KITS FOR MAINTAINING THE VACUUM REGULATOR. ADDITIONAL PARTS AND QUANTITIES SHOULD BE CONSIDERED WHERE THE EQUIPMENT IS USED TO ITS FULLEST CAPABILITY OR WHEN LOCATED IN AN AREA REMOTE FROM CONVENIENT SERVICE.  
TO ORDER A PREVENTIVE MAINTENANCE KIT, PARTS INDICATED BY (+) ORDER:  
50PPD(1.0KG/H) OR 100PPD(2.0KG/H)-----12843-1PM  
4PPD(75G/H); 10PPD(200G/H) OR 25PPD(.5KG/H)-----12843-2PM
- WHEN ORDERING PARTS, SPECIFY GAS FEEDER CAPACITY, MODEL NUMBER, AND SERIAL NUMBER.
- KEY NUMBER 19 AND KEY NUMBER 33 ARE INCLUDED IN KEY NUMBER 32 - INLET CAPSULE ASSEMBLY.

USING PARTS OTHER THAN GENUINE STWP PARTS:

- CAN RESULT IN MALFUNCTION OF THE EQUIPMENT AND POTENTIALLY CAUSE SERIOUS PERSONAL AND ENVIRONMENTAL HEALTH AND SAFETY HAZARDS
- WILL VOID YOUR EQUIPMENT WARRANTY
- WILL VOID YOUR LIABILITY CLAIMS TO STS

**Severn Trent Services**  
3000 Advance Lane  
Colmar, PA 18915 USA  
Tel: 215-997-4000, Fax: 215-997-4062  
Service Hotline: 800-523-6526  
Copyright 2004 Severn Trent Services