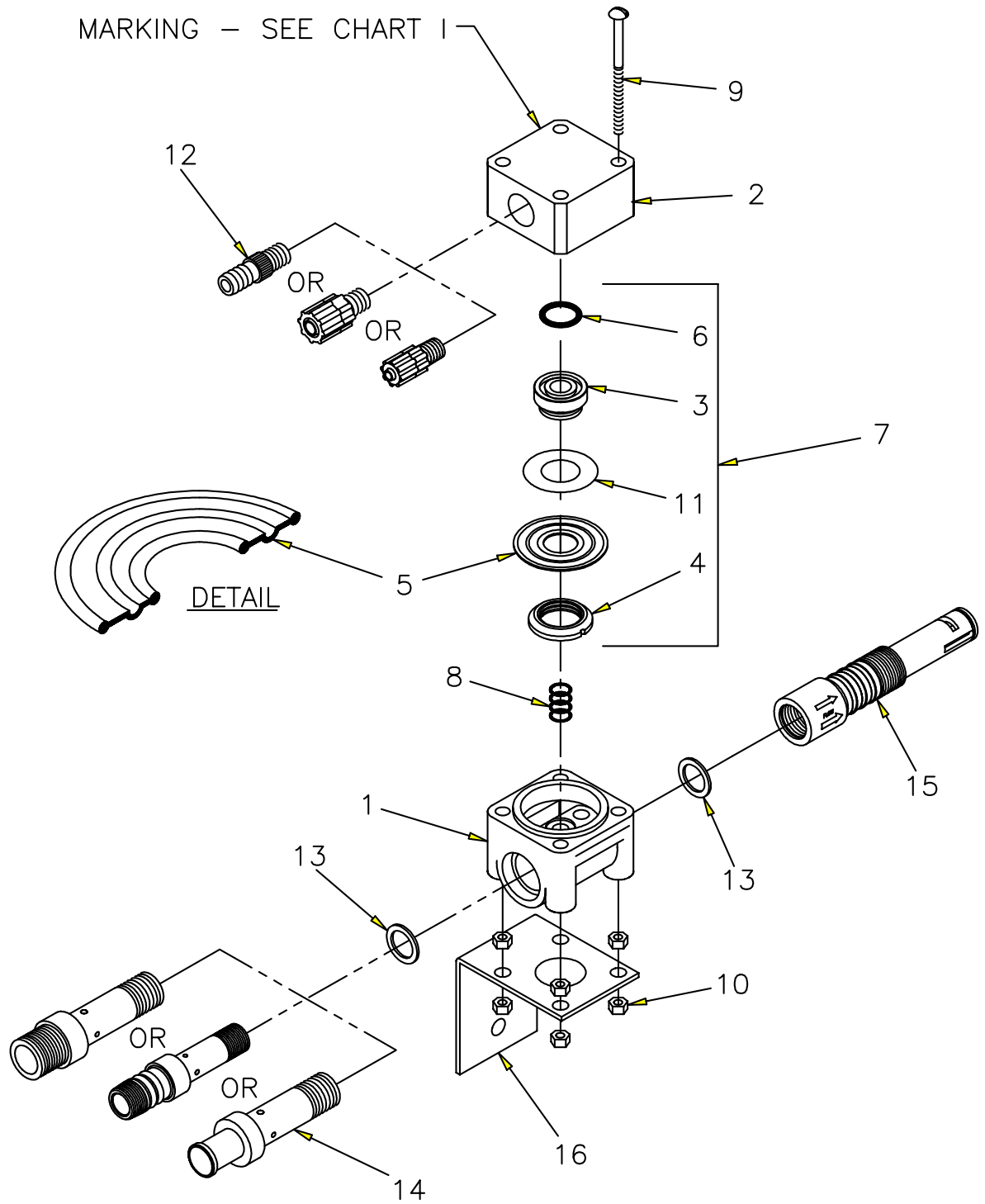


Ejector - O-Ring  
100 PPD (2.0 kg/h) Maximum  
Chlorine & Sulfur Dioxide



CAPITAL CONTROLS



See reverse side for parts description

ITEM	QTY.	DESCRIPTION	PART NO.
1	1	BOTTOM BODY	E-153
2	1	TOP BODY	U-2372
3	1	DIAPHRAGM BOLT	SEE CHART II
4	1	DIAPHRAGM NUT	SEE CHART II
5	1	DIAPHRAGM	D-104
<hr/>			
6	1	O-RING	OC-11-210
+ 7	1	DIAPHRAGM BOLT ASSEMBLY	SEE NOTE 4
8	1	SPRING	S-106
9	4	SCREW, 5/16-18 X 4 INCH LG	N-136
10	8	NUT, 5/16-18	N-104
<hr/>			
11	1	SUPPORT DIAPHRAGM	SEE CHART I
12	1	TUBING CONNECTOR	SEE CHART III
+ 13	2	GASKET	G-106
# 14	1	NOZZLE	SEE CHART IV
15	1	DIFFUSER	U-892
<hr/>			
16	1	BRACKET	T-135

CHART I

BACK PRESSURE AT EJECTOR	MARKING	GAS	KEY NUMBER		KIT
			7	11	
0-20 PSIG (0-1.3 BAR)	L	CHLORINE	A-835-1	D-105	14432-1
		SULFUR DIOXIDE	BM-3572		14432-3
20-140 PSIG (1.3-9.5 BAR)	HI	CHLORINE	A-968	U-1415 SEE NOTE 5	14432-2
		SULFUR DIOXIDE	BM-3573		14432-4

CHART II

KEY NO.	GAS	PART NO
3	CHLORINE	U-236
	SULFUR DIOXIDE	U-236-1
4	CHLORINE	U-1683
	SULFUR DIOXIDE	U-917-1

CHART III

KEY NO.	TUBING CONNECTOR		
12	3/8"	1/2"	5/8"
CHLORINE	F-100	F-106	F-113-1
SULFUR DIOXIDE	F-100-1	F-106-1	F-113-1

HOSE CLAMP FOR 5/8" TUBING - R-118

CHART IV

KEY NO.	3/4" NPT	UNIVERSAL 3/4" NPT/ 1" I.D. HOSE
14	E-109 SEE NOTE 3	19870-XX-1 XX = NOZZLE SIZE #. SEE NOTE 3

NOTES:

- (+) INDICATE PARTS INCLUDED IN MAINTENANCE KITS. ADDITIONAL PARTS AND QUANTITIES SHOULD BE CONSIDERED WHERE EQUIPMENT IS USED TO ITS FULLEST CAPABILITY OR WHERE LOCATED IN AN AREA REMOTE FROM CONVENIENT SERVICE.  
TO ORDER A PREVENTIVE MAINTENANCE KIT, PARTS INDICATED (+), SEE CHART I
- WHEN ORDERING PARTS, SPECIFY GAS FEEDER CAPACITY, MODEL NUMBER, AND SERIAL NUMBER.
- (#) NOZZLE SIZE APPEARS ON PART (SPECIFY WHEN ORDERING).
- KEY NUMBER 7 INCLUDES KEY NUMBERS 3, 4, 5, 6, AND 11. TO ORDER COMPLETE DIAPHRAGM BOLT ASSEMBLY (KEY NUMBER 7) SEE CHART I.
- KEY NUMBER 11 (U-1415) CONSISTS OF TWO DIAPHRAGM SUPPORTS (ONE SET).